

# Questionnaire for glass level gauge

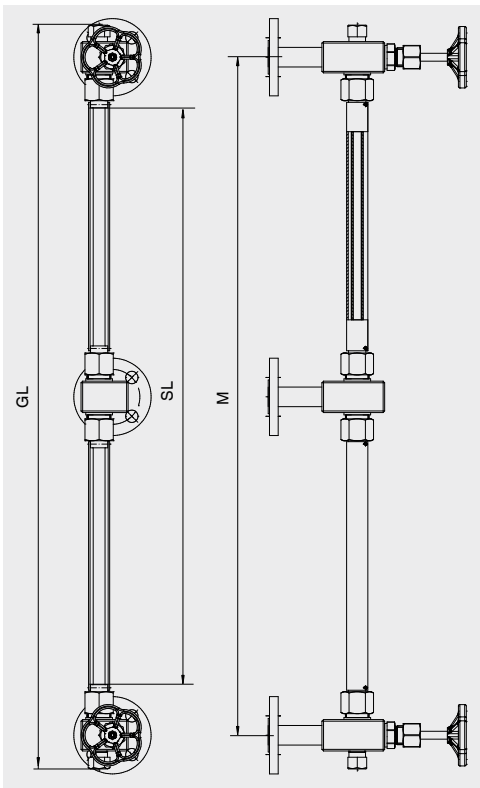
## Glass tube

### Model LGG-GB

#### Customer data

Company	Date
Name	Phone
Address	E-mail

#### Application data



Design code	
Material	
Pressure	bar (max. 25 bar)
Temperature	°C (-10 ... +200 °C)
Distance C-to-C (M)	mm (max. 4,500 mm)
Process connection	
Shut-off valve	
Vent	
Drain	
Interposing glass-holder <sup>1)</sup>	

1) Recommended at M > 1,500 mm, mandatory at M > 2,000 mm

#### Accessories

Glass protection

## Test requirements

3.1 material certificate (EN 10204)

Hydrostatic pressure test

Others \_\_\_\_\_

## Additional notes

---

---

---

---

---

